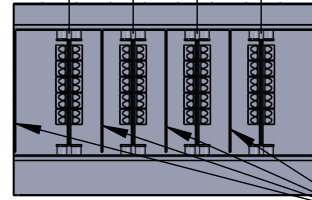
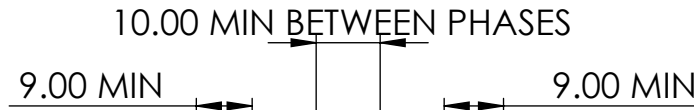


2

1

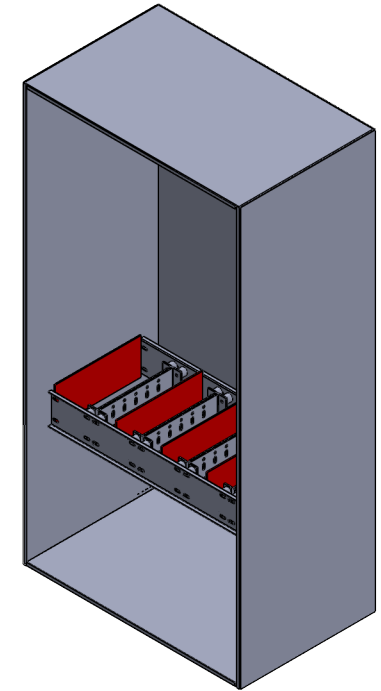
NOTES:

- 1. BOX AND COVER CONSTRUCTION- GALV STEEL(12GA)
FINISH: POWDER COAT GRAY ENAMEL
- 2. BUSBARS- COPPER 98% CONDUCTIVITY
- 3. BOX SHALL HAVE NAME PLATE WITH MANUFACTURER'S NAME
- 4. FRONT COVERS SHALL BE SEALABLE WITH (2) HANDLES
- 5. LINE SIDE: PROVISION FOR (10) 600 MCM - MORE SETS AVAILABLE BY REQUEST
- LUGS NOT INCLUDED
- 6. LOAD SIDE: MOUNT (16) 600MCM - MORE SETS AVAILABLE BY REQUEST
- MECHANICAL LUGS INCLUDED
- 7. NEMA 1 CONSTRUCTION; STITCH WELDED ENCLOSURE
- 8. "120/208v" BLACK LABEL WITH WHITE LETTERING LOCATION
ON INSIDE AND OUTSIDE OF THE ENCLOSURE
- 9. FOR 120/208V SERVICE ONLY
FOR 277/480V SERVICE SEE 348210-72-N1 OR 348211-96-N1
- 10. SHORT CIRCUIT CURRENT RATING 100,000 SYM RMS AMPS



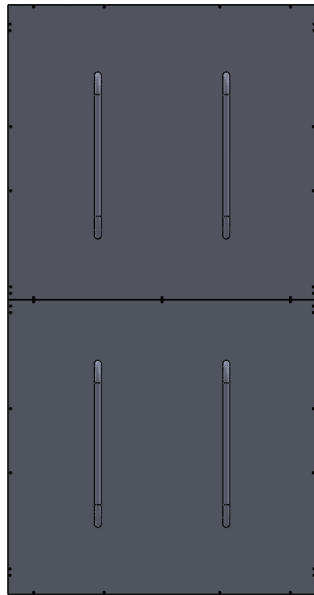
1/4" X 18" X 12" GP03 INSULATING BARRIERS

TOP SECTIONED

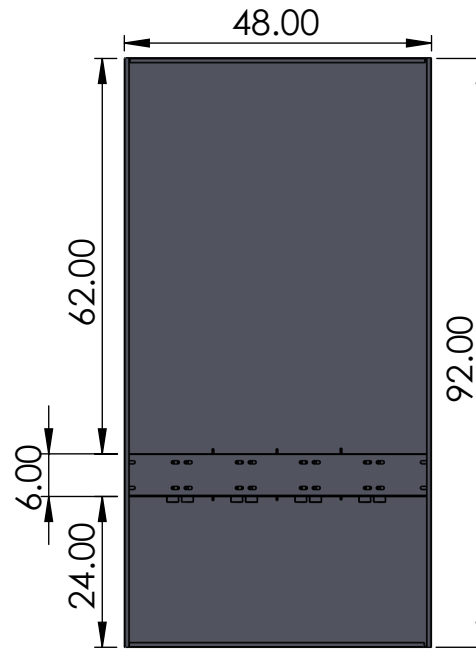


B

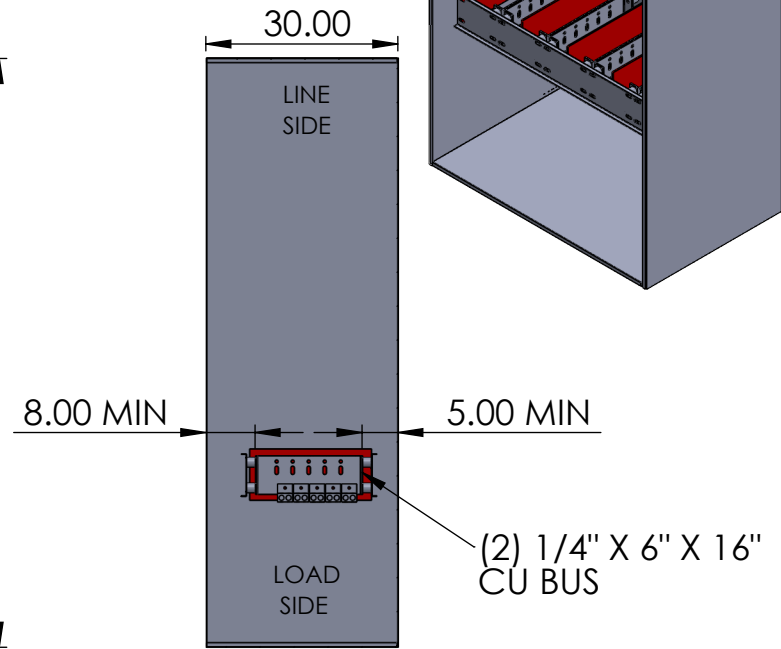
B



COVERED FRONT



OPEN FRONT



SIDE SECTIONED

A

A

	NAME	DATE
DRAWN BY	N. BOSETTI	12/30/2025
APPROVED BY		

PROPRIETARY AND CONFIDENTIAL
THE INFORMATION CONTAINED IN THIS DRAWING IS THE SOLE PROPERTY OF NAV-TECH INC. ANY REPRODUCTION IN PART OR AS A WHOLE WITHOUT THE WRITTEN PERMISSION OF NAV-TECH INC. IS PROHIBITED.



155 MARCUS BLVD
HAUPPAUGE, NEW YORK 11788
PH: (718) 257-2111 FAX: (718) 257-2626

MAT'L: GALVANNEALED STEEL
FINISH: POWDER COATED
WEIGHT: 700 LBS

ALL DIMENSIONS ARE NOMINAL UNLESS SPECIFICALLY NOTED OTHERWISE

DRAWING TITLE: EO-92-N1 CUT SHEET

PART #: NAV-EO-92-9073B

DESCRIPTION:
NEMA 1 SERVICE ENTRANCE BOX
120/208V SERVICE UP TO 10 SETS LINE SIDE
SPECIFIED TO CON ED EO-9073-B

DO NOT SCALE DRAWING	SCALE 1:35	SIZE A	SHEET 1 OF 1	REV. 9
-----------------------------	------------	--------	--------------	--------

2

1